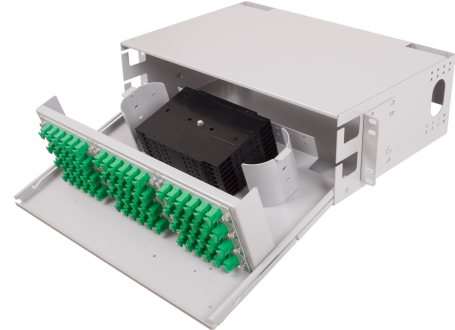


## OFDU-TS Rack Mount Splice and Termination Cabinet

### Description:

The OFDU-TS cabinet is based on universal optical distribution frames. The unified modular system enables easy reconfiguration and can be extended according to operator needs. The OFDU-TS provides splicing and termination within one convenient housing unit. The OFDU-TS terminates up to 192 fibers in a 3U distribution frame. This unit can take up to 12 snap-in coupling panels or prewired cassettes. The slide-out and swing down shelf enables unrestricted front, rear and top access to the splicing area and termination panels. Various types of splice trays can be used.



### Features:

- Splicing and termination in one cabinet
- Slide-out and drop down shelf
- Aluminium alloy material-low weight and shipment costs
- Up to 192 - fiber termination
- Splicing in single splice trays, individual splice tray access
- Removable top and back cover enables unrestricted front, rear and top access
- For FTTH use - microtube holder included
- Prewired CAPM cassettes include connectorized fiber pigtails and adapters
- Lockable or latch door options are available
- Durable powder coat finish light grey colour (RAL 7038, RAL 9006)

### Specifications:

PART NUMBER	RACK UNITS	DIMENSIONS (H x W x D) mm	SHIP WGT (kg)
OFDU-TS2	2U	88 x 432 x 305	1.5
OFDU-TS3	3U	133 x 432 x 305	1.9

### OFDU-TS2 - typical fiber capacity

Splice Tray1	Max	Fibers	CNPM2 or CAPM3	Max	Max.fibers
KNS-12S	6	72	CNPM-XX-06	6	36 (72)4
			CNPM-XX-08		48 (96) 4

### OFDU-TS3 - typical fiber capacity

KNS-12S	12	144	CNPM-XX-06	12	72 (144)4
			CNPM-XX-08		96 (192)4

### Note:

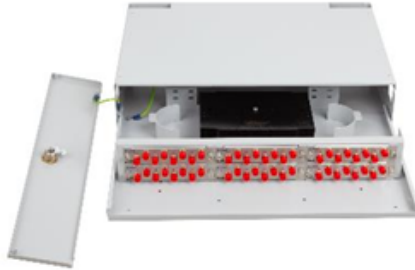
- 1) Splice trays datasheet: CMS\_01-09\_EN-KNS\_Splice\_trays
- 2) CNPM coupling panel datasheet: CMS\_24-01\_EN-CNPM
- 3) CAPM prewired cassette with pigtails and adapters : CMS\_22-01\_EN-CAPM

4) Fiber capacity depends on connector adaptor type, e.g. in the case DSC and DLC it is double capacity. (If we use slimmer splice protections P-B-40 so we can place two splices to one groove in the splice holder.)

- GK - Grounding Kit - Protection grounding wires installed, see datasheet: CMS\_01-02\_EN-accessories
- Full list of optional accessories including Vertical unit holder UHV-X, see also datasheet: CMS\_01-02\_EN-accessories



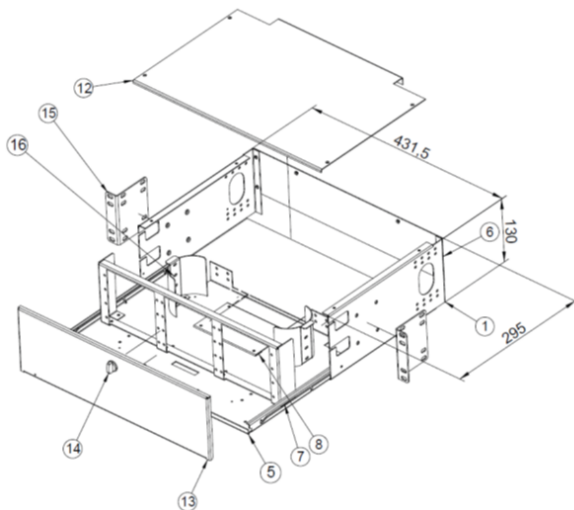
HINGED Cassette montage



OFDU-TS2-4-48-FC S-ZM/G



Detail of grounding



Parts which are available separately:

- |      |                  |                          |
|------|------------------|--------------------------|
| 1    | OFDU-BU-X        | base unit                |
| 5    | OFDU-SS          | sliding shelf            |
| 6    | OFDU-RC-X        | rear cover               |
| 7    | OFDU-CP-X        | connector panel          |
| 8-11 | OFDU-CH-X        | cassette holder          |
| 12   | OFDU-TC          | top cover                |
| 13   | OFDU-DM-X        | front door metal (plexi) |
| 14   | Key lock / latch |                          |
| 15   | UH-X             | unit holder              |
| 16   | BRP              | bend radius protection   |
- X=2,3 - rack unit

Bottom cassette is mounted to cassette holder by screws, next cassettes can be browsed by using hinges

**Ordering code:**

**OFDU-TSX** - **X** - **XXX** - **XX(F)<sup>1</sup> X** - **XX** / **(G)<sup>2</sup> - (UHV)<sup>3</sup>**

<b>Version</b>
<b>OFDU-TS2</b> 2U
<b>OFDU-TS3</b> 3U

<b>Front Door Option</b>
<b>LM</b> Metal door - lock
<b>ZM</b> Metal door - latch
<b>LP</b> Plexi door - lock
<b>ZP</b> Plexi door - latch

<b>Number of Splice Trays</b>
<b>1-12</b> Number of Splice Trays

<b>Fiber Capacity</b>
<b>006 - 192</b> Fibers

Coupling Type	Applications
<b>ST</b> ST adapter	<b>M</b> Multimode
<b>SC(F)</b> SC adapter	<b>S</b> Singlemode
<b>FC</b> FC adapter	<b>A</b> APC
<b>E2(F)</b> E2000 adapter	<b>x</b> No adapters
<b>DSC(F)</b> SC duplex adapter	
<b>DLC(F)</b> LC duplex adapter	
<b>DMU(F)</b> MU duplex adapter	
<b>MJ(F)</b> MT-Rj adapter	
<b>DE2(F)</b> E2000 duplex	



Key lock



Metal latch

- Note:
- 1) "F" - Fixed adaptors by screws
  - 2) G - Grounding option - protection grounding wires installed, see datasheet CMS\_01-02\_EN-accessories
  - 3) UHV - Vertical unit holder